

Stainless Steel-Star knobs

Stainless Steel AISI 303 (A1)

SPECIFICATION

Version with female thread:

Types

- Type **A**: without bore
- Type **E**: with threaded blind bore
- Type **D**: with threaded through bore
- Type **C**: with plain blind bore H7

Stainless Steel AISI 303

- matt shot-blasted
- highly polished PL (only type D and E)

Version with threaded bolt:

Stainless Steel AISI 303

- matt shot-blasted

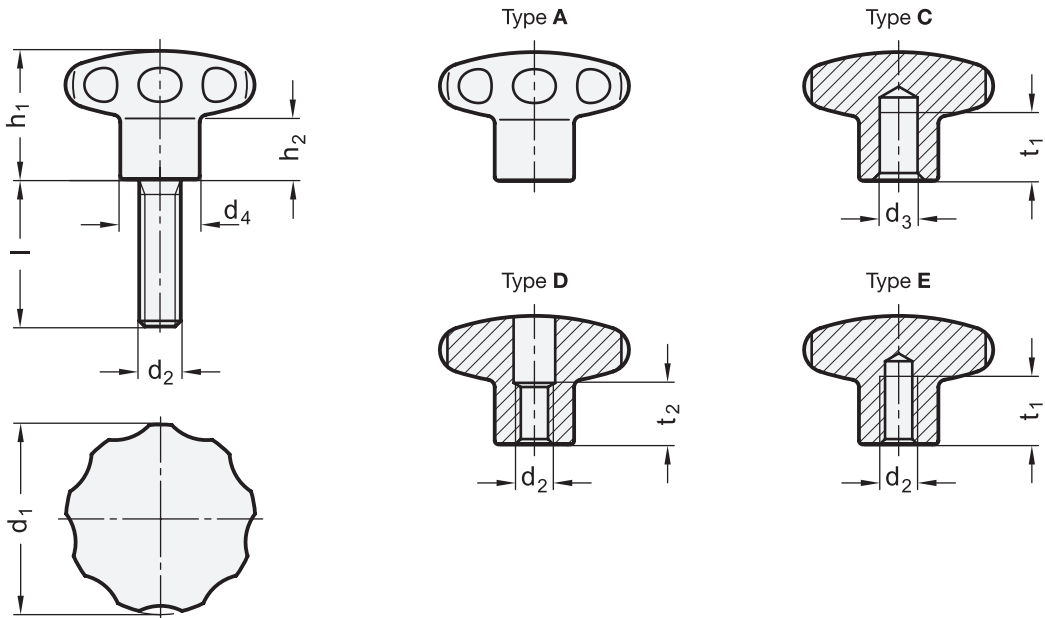


INFORMATION

Stainless Steel-Star knobs GN 5335 are a special development intended for the food processing machinery industry. The smooth and enclosed areas as well as the large corner radii comply with the requirements of hygiene standards.

TECHNICAL INFORMATION

- Cross holes GN 110 (see page A17)
- ISO-Fundamental Tolerances (see page A21)
- Stainless Steel characteristics (see page A26)



GN 5335-with female thread

STAINLESS STEEL

| Description | d1 | d2 | d3 H7 | d4 | h1 | h2 | t1 min. | t2 | ⚖ |
|---------------------|----|------|-------|----|------|----|---------|----|-----|
| GN 5335-40-A | 40 | - | - | 18 | 30.5 | 15 | - | - | 130 |
| GN 5335-50-A | 50 | - | - | 21 | 34 | 17 | - | - | 220 |
| GN 5335-60-A | 60 | - | - | 25 | 39 | 18 | - | - | 388 |
| GN 5335-40-B8-C | 40 | - | B 8 | 18 | 30.5 | 15 | 15 | - | 125 |
| GN 5335-50-B10-C | 50 | - | B 10 | 21 | 34 | 17 | 18 | - | 205 |
| GN 5335-60-B12-C | 60 | - | B 12 | 25 | 39 | 18 | 22 | - | 366 |
| GN 5335-40-M6-D | 40 | M 6 | - | 18 | 30.5 | 15 | - | 13 | 132 |
| GN 5335-40-M8-D | 40 | M 8 | - | 18 | 30.5 | 15 | - | 13 | 130 |
| GN 5335-50-M8-D | 50 | M 8 | - | 21 | 34 | 17 | - | 16 | 225 |
| GN 5335-50-M10-D | 50 | M 10 | - | 21 | 34 | 17 | - | 16 | 205 |
| GN 5335-60-M10-D | 60 | M 10 | - | 25 | 39 | 18 | - | 20 | 370 |
| GN 5335-60-M12-D | 60 | M 12 | - | 25 | 39 | 18 | - | 20 | 366 |
| GN 5335-40-M6-E | 40 | M 6 | - | 18 | 30.5 | 15 | 12 | - | 140 |
| GN 5335-40-M8-E | 40 | M 8 | - | 18 | 30.5 | 15 | 15 | - | 135 |
| GN 5335-50-M8-E | 50 | M 8 | - | 21 | 34 | 17 | 15 | - | 240 |
| GN 5335-50-M10-E | 50 | M 10 | - | 21 | 34 | 17 | 18 | - | 208 |
| GN 5335-60-M10-E | 60 | M 10 | - | 25 | 39 | 18 | 18 | - | 391 |
| GN 5335-60-M12-E | 60 | M 12 | - | 25 | 39 | 18 | 22 | - | 389 |
| GN 5335-40-M6-D-PL | 40 | M 6 | - | 18 | 30.5 | 15 | - | 13 | 132 |
| GN 5335-40-M8-D-PL | 40 | M 8 | - | 18 | 30.5 | 15 | - | 13 | 130 |
| GN 5335-50-M8-D-PL | 50 | M 8 | - | 21 | 34 | 17 | - | 16 | 225 |
| GN 5335-50-M10-D-PL | 50 | M 10 | - | 21 | 34 | 17 | - | 16 | 205 |
| GN 5335-60-M10-D-PL | 60 | M 10 | - | 25 | 39 | 18 | - | 20 | 370 |
| GN 5335-60-M12-D-PL | 60 | M 12 | - | 25 | 39 | 18 | - | 20 | 366 |
| GN 5335-40-M6-E-PL | 40 | M 6 | - | 18 | 30.5 | 15 | 12 | - | 140 |
| GN 5335-40-M8-E-PL | 40 | M 8 | - | 18 | 30.5 | 15 | 15 | - | 140 |
| GN 5335-50-M8-E-PL | 50 | M 8 | - | 21 | 34 | 17 | 15 | - | 240 |
| GN 5335-50-M10-E-PL | 50 | M 10 | - | 21 | 34 | 17 | 18 | - | 240 |
| GN 5335-60-M10-E-PL | 60 | M 10 | - | 25 | 39 | 18 | 18 | - | 391 |
| GN 5335-60-M12-E-PL | 60 | M 12 | - | 25 | 39 | 18 | 22 | - | 400 |

GN 5335-with threaded bolt

STAINLESS STEEL

| Description | d1 | d2 | l | d4 | h1 | h2 | ⚖ |
|-------------------|----|------|----|----|------|----|-----|
| GN 5335-40-M8-16 | 40 | M 8 | 16 | 18 | 30.5 | 15 | 140 |
| GN 5335-40-M8-20 | 40 | M 8 | 20 | 18 | 30.5 | 15 | 151 |
| GN 5335-40-M8-25 | 40 | M 8 | 25 | 18 | 30.5 | 15 | 180 |
| GN 5335-50-M10-20 | 50 | M 10 | 20 | 21 | 34 | 17 | 245 |
| GN 5335-50-M10-25 | 50 | M 10 | 25 | 21 | 34 | 17 | 247 |
| GN 5335-50-M10-30 | 50 | M 10 | 30 | 21 | 34 | 17 | 260 |
| GN 5335-60-M12-25 | 60 | M 12 | 25 | 25 | 39 | 18 | 420 |
| GN 5335-60-M12-30 | 60 | M 12 | 30 | 25 | 39 | 18 | 426 |
| GN 5335-60-M12-40 | 60 | M 12 | 40 | 25 | 39 | 18 | 441 |

